

MAKE IN INDIA

ALTENMO™
Alternate Energy & Motions

ALTENMO GEARLESS MACHINES

NEW
GREENECO Series

IND | USA

GEARLESS TRACTION TECHNOLOGY

PMSM · ISO 9001 · CE CERTIFIED

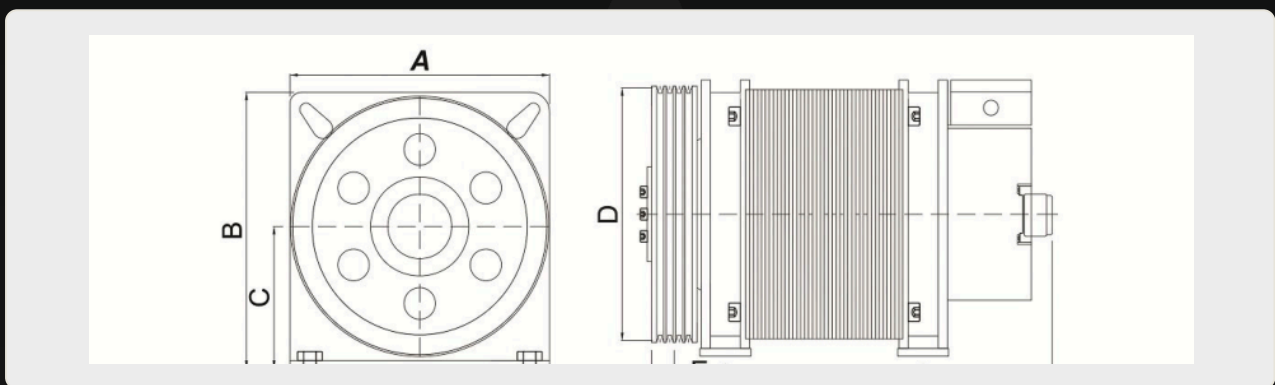
ALTENMO TECHNOLOGIES PVT. LTD

Regd. Office & Factory : Panchratna Industrial Estate,
Near Ramol Bridge, Vatva, Ahmedabad-382445, Gujarat. India

Tel. No. - 65437316. Mobile: +91 9099923634.
E-mail: info@altenmo.com / altenmoindia@gmail.com
www.altenmo.com

CE

- ◆ A professional GEARLESS Elevator Traction (PMSM) Machine Manufacturer
- ◆ Offering Full Range of Products
- ◆ An ISO9001 Certified Company
- ◆ Comply with all safety codes & standards of Elevator
- ◆ Own Research & Development on Core Technology (PMSM)
- ◆ In House Production of All Core Components



ALTENMO Gearless – Duty Table

Type	A	B	C	W	L	D	E	F	G
AL-S	331	350	180	280	152/210	320	65	95	165
AL-M	331	350	180	280	268/315	320	78/90	118/142	185/200
AL-L	331	350	180	280	370	320	100	155	230
AL-XL	331	350	180	280	425	320	100	155	230

All Dimensions are in mm.

Notes:

- Duty Cycle: S3-40%, 120 Starts/Hour
- Hoistway Efficiency : > 85%
- Rope Compensation: 90%
- Single Wrap $\alpha \geq 180^\circ$
- Compensation chain is necessary for travel above 20m.
- Pl. contact us for 1:1 roping, speed different from the standard, Higher load or different pulley combinations.
- Specifications may change without prior notice

TECHNICAL FEATURES

ALTENMO LIFT RANGE

(For MachineRoomless (MRL) & MachineRoom)

Machine Type	Rated Load(Kg)	Roping	Rated Speed (m/s)	RPM	Rated Torque (Nm)	Rated Power (Kw)	Sheave Dia. (mm)	Rope (mmx No.)	Brake Voltage (VDC)
AL-S	408	2:1	0.63	76	230	1.8	320	8 × 4	220/110
AL-S	408	2:1	1	120	230	2.9	320	8 × 4	220/110
AL-S	408	2:1	1.5	179	230	4.3	320	8 × 4	220/110
AL-S	408	2:1	1.75	209	230	5.0	320	8 × 4	220/110
AL-S	544	2:1	0.63	76	280	2.2	320	8 × 4	220/110
AL-S	544	2:1	1	120	280	3.5	320	8 × 4	220/110
AL-S	544	2:1	1.5	179	280	5.2	320	8 × 4	220/110
AL-S	544	2:1	1.75	209	280	6.1	320	8 × 4	220/110
AL-S	680	2:1	0.63	76	350	2.8	320	8 × 6	220/110
AL-S	680	2:1	1	120	350	4.4	320	8 × 6	220/110
AL-S	680	2:1	1.5	179	350	6.5	320	8 × 6	220/110
AL-S	680	2:1	1.75	209	350	7.7	320	8 × 6	220/110
AL-M	884	2:1	0.63	76	450	3.6	320	8 × 6	220/110
AL-M	884	2:1	1	120	450	5.7	320	8 × 6	220/110
AL-M	884	2:1	1.5	179	450	8.4	320	8 × 6	220/110
AL-M	884	2:1	1.75	209	450	9.9	320	8 × 6	220/110
AL-M	1088	2:1	0.63	76	560	4.5	320	8 × 8	220/110
AL-M	1088	2:1	1	120	560	7.0	320	8 × 8	220/110
AL-M	1088	2:1	1.5	179	560	10.5	320	8 × 8	220/110
AL-M	1088	2:1	1.75	209	560	12.3	320	8 × 8	220/110
AL-M	1224	2:1	0.63	76	670	5.3	320	8 × 8	220/110
AL-M	1224	2:1	1	120	670	8.4	320	8 × 8	220/110
AL-M	1224	2:1	1.5	179	670	12.5	320	8 × 8	220/110
AL-M	1224	2:1	1.75	209	670	14.7	320	8 × 8	220/110
AL-L	1360	2:1	0.63	76	750	5.7	320	8 × 8	220/110
AL-L	1360	2:1	1	120	750	9.4	320	8 × 8	220/110
AL-L	1360	2:1	1.5	179	750	14.0	320	8 × 8	220/110
AL-L	1360	2:1	1.75	209	750	16.4	320	8 × 8	220/110
AL-L	1360	2:1	2.0	238	750	18.7	320	8 × 8	220/110
AL-L	1600	2:1	0.63	76	880	7.0	320	8 × 10	220/110
AL-L	1600	2:1	1	120	880	11.0	320	8 × 10	220/110
AL-L	1600	2:1	1.5	179	880	16.5	320	8 × 10	220/110
AL-L	1600	2:1	1.75	209	880	19.3	320	8 × 10	220/110
AL-L	1600	2:1	2.0	238	880	21.9	320	8 × 10	220/110
AL-XL	2000	2:1	0.63	76	920	7.3	320	8 × 10	220/110
AL-XL	2000	2:1	1	120	920	11.6	320	8 × 10	220/110
AL-XL	2000	2:1	1.5	179	920	17.2	320	8 × 10	220/110
AL-XL	2000	2:1	1.75	209	920	20.1	320	8 × 10	220/110
AL-XL	2000	2:1	2.0	238	920	22.9	320	8 × 10	220/110
AL-XL	2500	2:1	0.63	76	1200	9.5	320	8 × 10	220/110
AL-XL	2500	2:1	1	120	1200	15.1	320	8 × 10	220/110
AL-XL	2500	2:1	1.5	179	1200	22.4	320	8 × 10	220/110
AL-XL	2500	2:1	1.75	209	1200	26.3	320	8 × 10	220/110
AL-XL	2500	2:1	2.0	238	1200	29.9	320	8 × 10	220/110

Elevating the future

With Gearless Machines

ALTENMO™
Alternate Energy & Motions

**Altenmo
Gearless
Machines**

Manufacturing

In-house production of all core components with precision engineering

R & D

Own research & development on core PMSM technology

**Quality Production
& Testing**

Rigorous quality assurance at every stage of production

ALTENMO TECHNOLOGIES PVT. LTD

Regd. Office & Factory : Panchratna Industrial Estate,
Near Ramol Bridge, Vatva, Ahmedabad-382445, Gujarat. India

Tel. No. - 65437316. Mobile: +91 9099923634.
E-mail: info@altenmo.com / altenmoindia@gmail.com
www.altenmo.com

C E