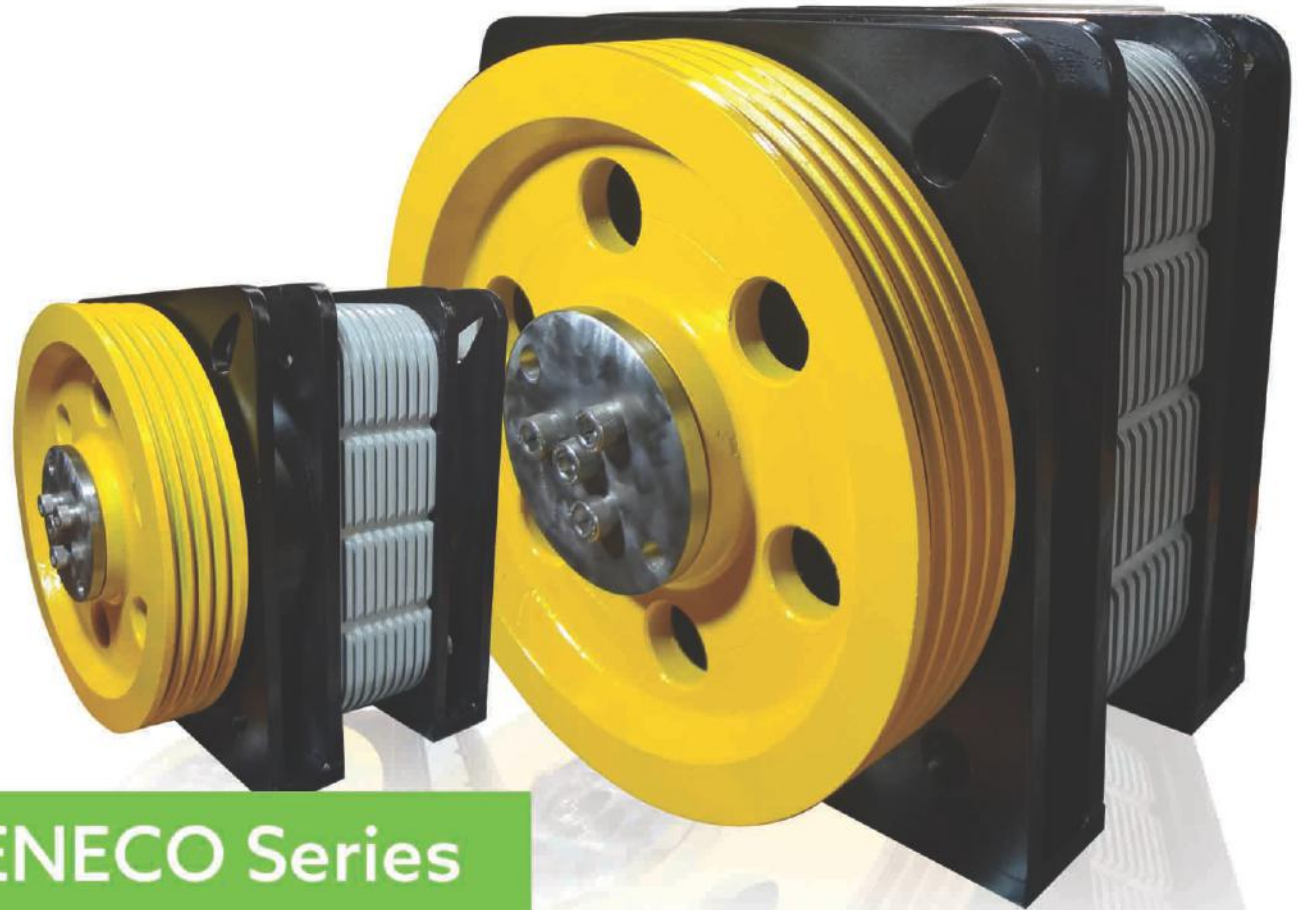




**ALTENMO**<sup>TM</sup>  
Alternate Energy & Motions

## ALTENMO GEARLESS MACHINES



**New GREENECO Series**

Of the INDIA

By the INDIA

For the WORLD

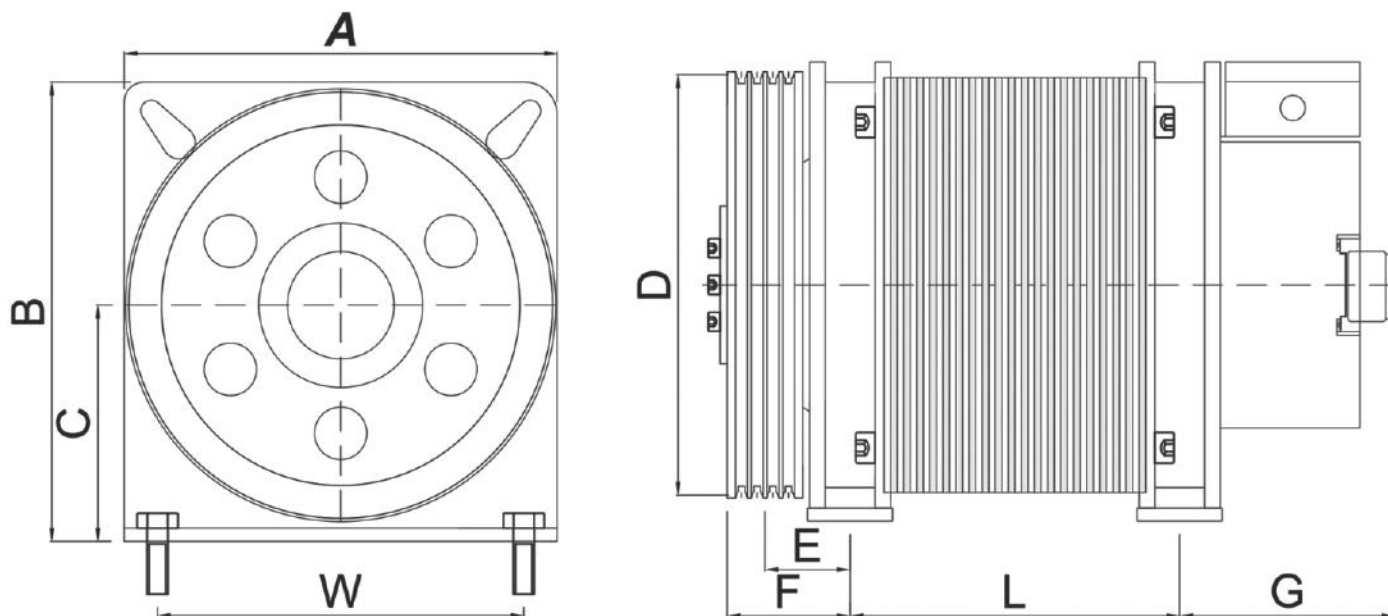
**ALTENMO TECHNOLOGIES PVT. LTD**

Regd. Office & Factory : 13/1, Panchratna Industrial Estate,  
Near Ramol Bridge, Vatva, Ahmedabad-382445, Gujarat. India

Tel. No. - 65437316. Mobile: +91 9099923634. Fax: (079) 25890879.  
E-mail: [info@altenmo.com](mailto:info@altenmo.com) / [altenmoindia@gmail.com](mailto:altenmoindia@gmail.com)  
[www.altenmo.com](http://www.altenmo.com)



- A professional GEARLESS Elevator Traction (PMSM) Machine Manufacturer
- Offering Full Range of Products
- An ISO9001 Certified Company
- Comply with all safety codes & standards of Elevator
- Own Research & Development on Core Technology (PMSM)
- In House Production of All Core Components



## ALTENMO Gearless - Duty Table

Type	A	B	C	W	L	D	E	F	G
AL-S	331	350	180	280	152/210	320	65	95	165
AL-M	331	350	180	280	268/315	320	78/90	118/142	185/200
AL-L	331	350	180	280	370	320	100	155	230
AL-XL	331	350	180	280	425	320	100	155	230

All Dimensions are in mm.

### Notes:

- Duty Cycle: S3-40%, 120 Starts/Hour
- Rope Compensation: 90%
- Compensation chain is necessary for travel above 20m.
- Pl. contact us for 1:1 roping, speed different from the standard, Higher load or different pulley combinations.
- Specifications may change without prior notice
- Hoistway Efficiency : > 85%
- Single Wrap  $\alpha \geq 180^\circ$



## ALTENMO LIFT RANGE

( For MachineRoomless (MRL) & MachineRoom)

Machine Type	Rated Load(Kg)	Roping	Rated Speed ( m/s)	RPM	Rated Torque (Nm)	Rated Power (Kw)	Sheave Dia (mm)	Rope (mmx No.)	Brake Voltage (VDC)
AL-S	408	2:1	0.63	76	230	1.8	320	8 x 4	220/110
AL-S	408	2:1	1	120	230	2.9	320	8 x 4	220/110
AL-S	408	2:1	1.5	179	230	4.3	320	8 x 4	220/110
AL-S	408	2:1	1.75	209	230	5.0	320	8 x 4	220/110
AL-S	544	2:1	0.63	76	280	2.2	320	8 x 4	220/110
AL-S	544	2:1	1	120	280	3.5	320	8 x 4	220/110
AL-S	544	2:1	1.5	179	280	5.2	320	8 x 4	220/110
AL-S	544	2:1	1.75	209	280	6.1	320	8 x 4	220/110
AL-S	680	2:1	0.63	76	350	2.8	320	8 x 6	220/110
AL-S	680	2:1	1	120	350	4.4	320	8 x 6	220/110
AL-S	680	2:1	1.5	179	350	6.5	320	8 x 6	220/110
AL-S	680	2:1	1.75	209	350	7.7	320	8 x 6	220/110
AL-M	884	2:1	0.63	76	450	3.6	320	8 x 6	220/110
AL-M	884	2:1	1	120	450	5.7	320	8 x 6	220/110
AL-M	884	2:1	1.5	179	450	8.4	320	8 x 6	220/110
AL-M	884	2:1	1.75	209	450	9.9	320	8 x 6	220/110
AL-M	1088	2:1	0.63	76	560	4.5	320	8 x 8	220/110
AL-M	1088	2:1	1	120	560	7.0	320	8 x 8	220/110
AL-M	1088	2:1	1.5	179	560	10.5	320	8 x 8	220/110
AL-M	1088	2:1	1.75	209	560	12.3	320	8 x 8	220/110
AL-M	1224	2:1	0.63	76	670	5.3	320	8 x 8	220/110
AL-M	1224	2:1	1	120	670	8.4	320	8 x 8	220/110
AL-M	1224	2:1	1.5	179	670	12.5	320	8 x 8	220/110
AL-M	1224	2:1	1.75	209	670	14.7	320	8 x 8	220/110
AL-L	1360	2:1	0.63	76	750	5.7	320	8 x 8	220/110
AL-L	1360	2:1	1	120	750	9.4	320	8 x 8	220/110
AL-L	1360	2:1	1.5	179	750	14.0	320	8 x 8	220/110
AL-L	1360	2:1	1.75	209	750	16.4	320	8 x 8	220/110
AL-L	1360	2:1	2.0	238	750	18.7	320	8 x 8	220/110
AL-L	1600	2:1	0.63	76	880	7.0	320	8 x 10	220/110
AL-L	1600	2:1	1	120	880	11.0	320	8 x 10	220/110
AL-L	1600	2:1	1.5	179	880	16.5	320	8 x 10	220/110
AL-L	1600	2:1	1.75	209	880	19.3	320	8 x 10	220/110
AL-L	1600	2:1	2.0	238	880	21.9	320	8 x 10	220/110
AL-XL	2000	2:1	0.63	76	920	7.3	320	8 x 10	220/110
AL-XL	2000	2:1	1	120	920	11.6	320	8 x 10	220/110
AL-XL	2000	2:1	1.5	179	920	17.2	320	8 x 10	220/110
AL-XL	2000	2:1	1.75	209	920	20.1	320	8 x 10	220/110
AL-XL	2000	2:1	2.0	238	920	22.9	320	8 x 10	220/110
AL-XL	2500	2:1	0.63	76	1200	9.5	320	8 x 10	220/110
AL-XL	2500	2:1	1	120	1200	15.1	320	8 x 10	220/110
AL-XL	2500	2:1	1.5	179	1200	22.4	320	8 x 10	220/110
AL-XL	2500	2:1	1.75	209	1200	26.3	320	8 x 10	220/110
AL-XL	2500	2:1	2.0	238	1200	29.9	320	8 x 10	220/110

Notes: Specifications may change without prior notice



*Elevating the future*<sup>TM</sup>  
With Gearless Machines



**ALTENMO TECHNOLOGIES PVT. LTD**

Regd. Office & Factory : 13/1, Panchratna Industrial Estate,  
Near Ramol Bridge, Vatva, Ahmedabad-382445, Gujarat. India

Tel. No. - 65437316. Mobile: +91 9099923634. Fax: (079) 25890879.  
E-mail: info@altenmo.com / altenmoindia@gmail.com  
www.altenmo.com

